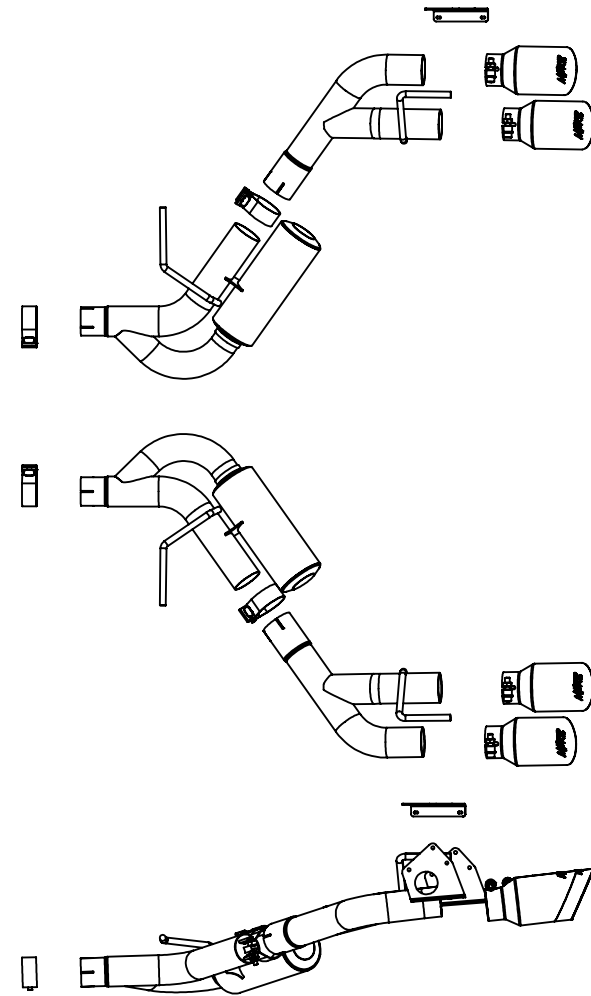
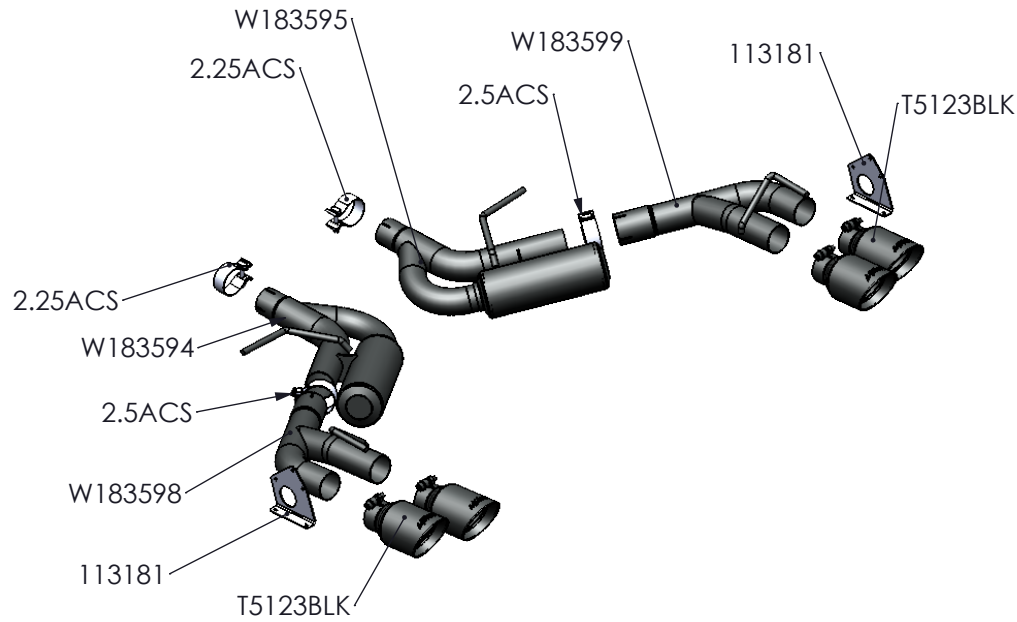


# S7039BLK

2016 UP CAMARO V6 QUAD TIP [NPP] AXLE BACK.  
DOES NOT RETAIN NPP FUNCTION



ITEM NO.	PART NUMBER	DESCRIPTION	S7039BLK/QTY.
1	W183594	PIPE ASSEMBLY, 2.5" HEMHOLTZ	1
2	W183595	PIPE ASSEMBLY, 2.5" HEMHOLTZ	1
3	W183598	PIPE ASSEMBLY, 2.5"	1
4	W183599	PIPE ASSEMBLY, 2.5"	1
5	2.5ACS	CLAMP, 2.5" BAND, STAINLESS STEEL	2
6	2.25ACS	CLAMP, 2.25", BAND, STAINLESS STEEL	2
7	T5123BLK	4" ANGLED DUAL WALL TIP 2 1/2" INLET 7.75" LONG	4
8	113181	BRACKET, ACTUATOR	2

26-MAR-18  
REV:A

**MBRP**  
PERFORMANCE EXHAUST