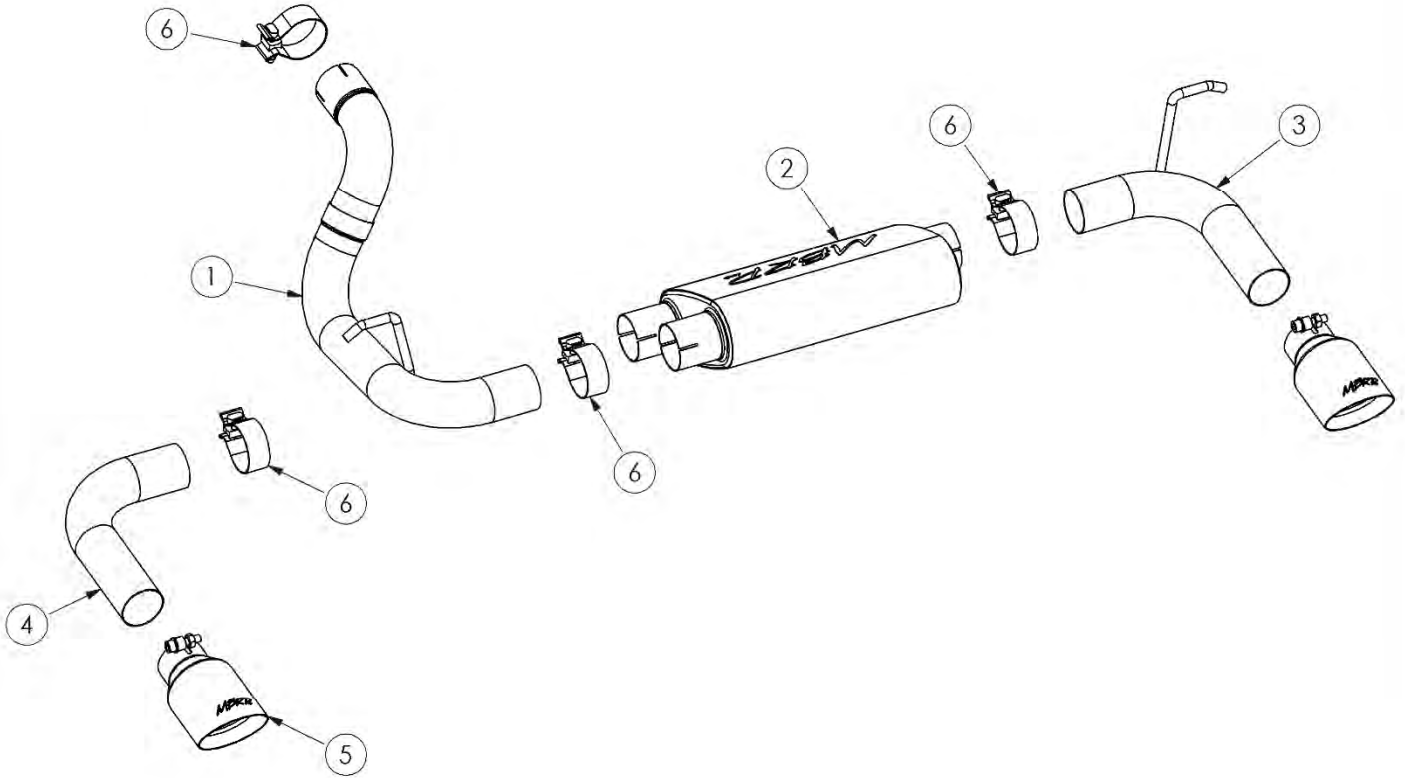


# S5529

2018 & UP JEEP WRANGLER (JL), 4-DR/2-DR,  
3.6L, AXLE BACK, 2.5" REAR EXIT DUALS

**MBRP**  
INC.  
PERFORMANCE EXHAUST



1. INLET PIPE
2. MUFFLER
3. PASSENGER-SIDE TAIL PIPE
4. DRIVER-SIDE TAIL PIPE
5. EXHAUST TIP (2 PCS)
6. 2.5" CLAMP (4 PCS)

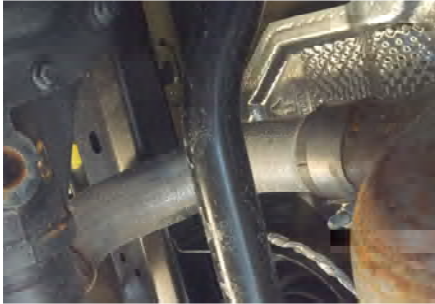
## PLEASE READ BEFORE STARTING INSTALLATION

**While MBRP Inc. has made every effort to ensure that all components of this system are of superior quality and properly packaged, it is the installer's responsibility to ensure the following before removal of the factory exhaust:**

- that ALL components shown above are present.
- that ALL mating components fit together.
- that there are no damaged components.
- that the system you have purchased is appropriate for your vehicle year, model and configuration.
- that the system will not interfere with any modifications previously installed or planned.
- that you have read and understand these instructions.

If you have any questions or are uncertain about any aspect of the installation of this system to your vehicle please contact your dealer before commencing installation.

## Removal of Stock System



**Figure 1**

1. Apply a penetrating lubricant liberally to all exhaust fasteners, hangers and rubber insulators.
2. Start to remove the exhaust by loosening the clamp above the rear axle, before the muffler on the driver's side.

**Refer to Figure 1.**

3. The muffler can be removed by removing the hangers from the rubber isolators; one on each side. **Refer to Figure 2.**



**Figure 2**

## Installation of MBRP Inc. Performance Exhaust

1. Remove the rear rubber isolator from the driver-side of the vehicle and place it onto the hanger of the **Inlet Pipe**.

2. Slide a **2 ½" Clamp** over the **Inlet Pipe** and then loosely install it to the over-axle pipe. Attach the rubber isolator on the **Inlet Pipe** back onto the vehicle mount. **Refer to Figure 3.**



**Figure 3**

3. Slide a **2 ½" Clamp** onto the **Muffler** and loosely attach it to the **Inlet Pipe**. Note that the **Muffler** should be oriented such that the inlet is towards the rear of the vehicle. **Refer to Figure 3.**

4. Slide a **2 ½" Clamp** over the **Passenger-Side Tail Pipe** and install it onto the **Muffler**. Slide the **Passenger-Side Tail Pipe** hanger into the existing rubber insulator. **Refer to Figure 4.**



**Figure 4**

5. Slide a **2 ½" Clamp** over the **Driver-Side Tail Pipe** and install it onto the **Muffler**. **Refer to Figure 5.**

6. Install the **Exhaust Tips** onto the **Tail Pipes** check alignment and tighten. **Refer to Figure 5.**

7. Note that the tip height can be adjusted by changing the angle of the muffler and the tail pipes. Align the exhaust as required to ensure the tips are 1" away from the bumper. Starting at the front of the exhaust, tighten all clamps and connections.

8. Check along the whole length of the exhaust system to ensure that there is adequate clearance around any fuel and brake lines or any wiring. If any interference is detected, relocate or adjust.

**Congratulations!** You are ready to begin experiencing the improved performance and driving pleasure of your MBRP Inc. performance exhaust system. We know you will enjoy your purchase.



**Figure 5**