

**AIR LIFT**  
PERFORMANCE

## INSTALLATION GUIDE

# Coil to Air Upgrade Kit



**FOR FRONT & REAR APPLICATIONS**



*Prior to installation and use, read and follow all instructions and warnings. Keep instructions for Owner's future reference. Do not discard or destroy.*

## **Protect your Air Lift Performance Purchase by Completing your Warranty Registration**



Thank you for purchasing an  
Air Lift Performance product!

Take a photo of your sales receipt and then  
scan the QR code to complete your online  
warranty registration.

# ***TABLE OF CONTENTS***

---

## **P.02**

### **Introduction**

Notation Explanation  
Important Safety Information

---

## **P.04**

### **Install the Coil to Air Upgrade Kit**

Recommended Tools List  
Section 1. Disassembly of the Coilover  
Section 2. Assembly of the Air Spring

---

## **P.12**

### **Limited Warranty and Return Policy**

Warranty Registration & Claims

# Introduction

Air Lift Performance thanks you for purchasing our fully engineered, high-performance Coil to Air Upgrade Kit. Read these installation instructions to correctly and safely set up the vehicle.

Air Lift assumes that the installer has the mechanical knowledge and ability to work on vehicle suspension systems and has basic tools necessary to complete a suspension replacement project. Special tools needed to complete the installation are noted on the System Overview page.

Air Lift reserves the right to make changes and improvements to its products and publications at any time. For the latest version of this manual, contact Air Lift Performance at **(800) 248-0892** or visit **[www.airliftperformance.com](http://www.airliftperformance.com)**.

## NOTATION EXPLANATION

Hazard notations appear in various locations in this publication. Information highlighted by one of these notations must be observed to help minimize risk of personal injury or possible improper installation, which may render the vehicle unsafe. Notes and Tech Tips are used to help emphasize areas of procedural importance and provide helpful suggestions. The following definitions explain the use of these notations as they appear throughout this guide.



### DANGER

INDICATES IMMEDIATE HAZARDS WHICH WILL RESULT IN SEVERE PERSONAL INJURY OR DEATH.



### WARNING

INDICATES HAZARDS OR UNSAFE PRACTICES WHICH COULD RESULT IN SEVERE PERSONAL INJURY OR DEATH.



### CAUTION

INDICATES HAZARDS OR UNSAFE PRACTICES WHICH COULD RESULT IN DAMAGE TO THE VEHICLE OR MINOR PERSONAL INJURY.



### NOTE


*Used to help emphasize areas of procedural importance and provide helpful suggestions.*



### TECH TIP

*Used to provide helpful tips to ease the installation process.*

## IMPORTANT SAFETY INFORMATION

This safety alert symbol  and the terms **DANGER**, **WARNING**, and **CAUTION** in this guide alert you to potential serious injury hazards and other important safety information.

**READ AND FOLLOW ALL INSTRUCTIONS AND WARNINGS TO HELP AVOID INJURY OR DEATH.**



### WARNING

- Professional installation is strongly recommended.
- Read through installation guide completely before attempting to start installation process. If you are not qualified or comfortable installing this product, STOP and take car to an ASE-certified mechanic.
- Improper installation may cause serious injury or death.
- These are general instructions intended to guide installation for most vehicles but detailed installation procedures may vary greatly depending upon your make/model vehicle.
- Do NOT weld, modify or alter this product.
- Prior to installation, inspect coilover sealing areas and threads for damage. If damaged, do NOT install.
- Changing vehicle height may affect functioning of vehicle safety features, including sensors and cameras. After installation, ensure all original equipment vehicle safety features are properly working and calibrated by a qualified technician.

Step by Step General Instructions (Not Vehicle Specific, Some Instructions Do Not Apply To Certain Chassis)



### PLEASE READ – IMPORTANT INSTALLATION INFORMATION



Installation of the Coil to Air Upgrade Kit requires removal of the coilovers from the vehicle. Use the included front and rear air suspension manuals as a guide for removal of the coilovers and installation of the Coil to Air Upgrade Kits. Once the suspension is installed, ensure to follow the OE specifications for torquing fasteners.

# Install the Coil to Air Upgrade Kit

## RECOMMENDED TOOLS LIST

Description.....Qty	Description.....Qty
M17 Wrench ..... 1	Soft brush (for grease application) ..... 1
M19 Wrench ..... 1	Collar wrenches (for lock collars) .... set
M6 Hex key ..... 1	Torque wrench..... 1
Pliers..... 1	Strap wrench (for air spring)..... 1
Pick tool or small screwdriver ..... 1	Safety glasses ..... 1

### SECTION 1.

### DISASSEMBLY OF THE COILOVER



#### WARNING

INSPECT SEALING AREAS AND THREADS FOR DAMAGE (FIG. 1). IF YOU HAVE MAJOR DAMAGE, PLEASE DO NOT CONTINUE AND CONTACT CUSTOMER SERVICE.

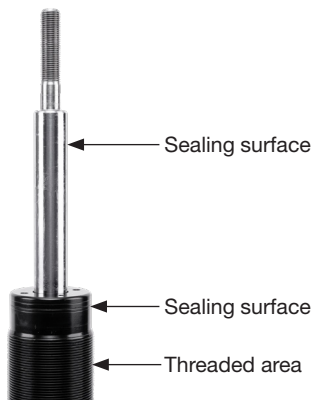
1. Loosen the lower spring perch lock collar and lower spring perch (Fig. 2). Continue until the spring is no longer in compression and moves freely.



#### CAUTION

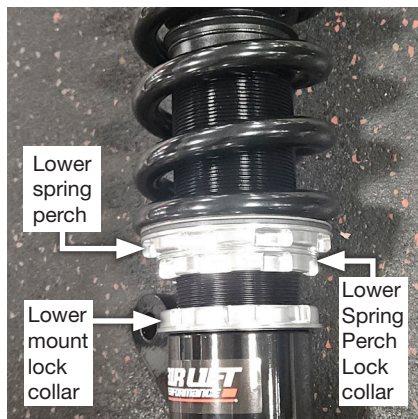
DO NOT REMOVE LOCK COLLAR ON THE LOWER MOUNT (FIG. 2).

2. Remove the damping adjuster if installed.



\* Representative image

Fig. 1



\* Representative image

Fig. 2

- Loosen and remove the lock nut (Fig. 3).



**TECH TIP**

A hex key may be required to hold the damper rod and keep it from spinning.



**NOTE**

Discard the lock nut, as a new one is included in this kit.

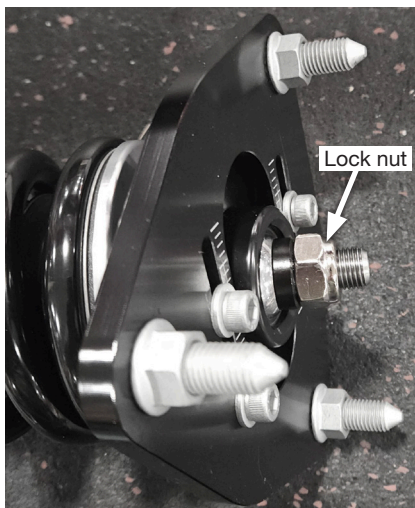
- Carefully remove all parts of the upper mount assembly, including the upper spring perch (Fig. 4).



**NOTES**

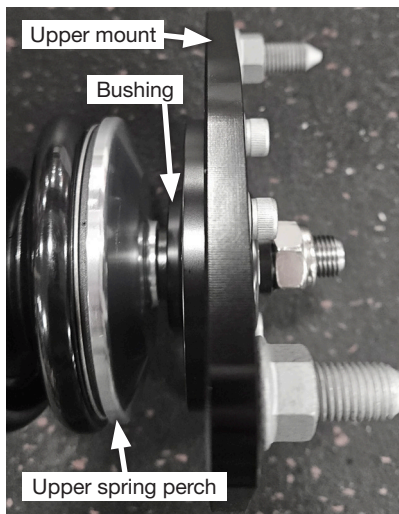
Keep all washers and shims organized, as you will need to reinstall them in the same order as they were removed.

There may be a C-clip (Fig. 5) on some applications that is difficult to remove. This C-clip will not be reused because a new one has been included with this kit (if needed).



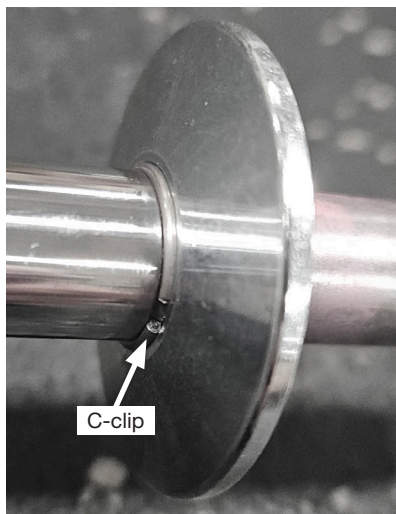
\* Representative image

Fig. 3



\* Representative image

Fig. 4



\* Representative image

Fig. 5

5. Remove the spring from the damper, as well as the dust boot and bump stop.
6. Visually inspect the bump stop. If the bump stop is a yellow rubbery material (Figure 6), it **MUST** be replaced with the white plastic material bump stop that may have been included in your kit. If the bump stop is already a white plastic material, it does not need replaced. If you require a replacement bump stop, please contact customer support.



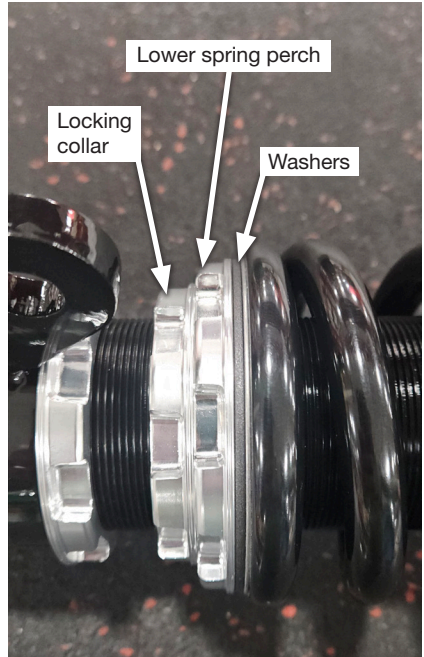
**NOTES**

*The bump stop displayed in Figure 6 is yellow, though it may appear as a shade of gray in this manual.*



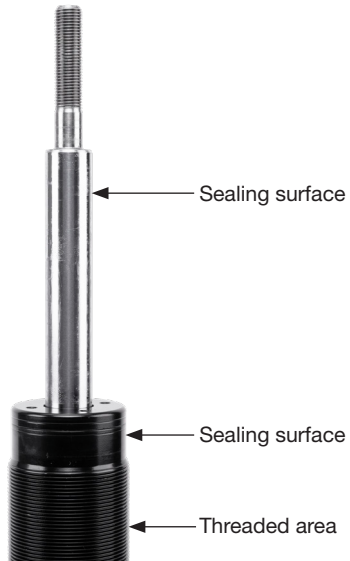
Fig. 6

7. Remove the lower spring perch, locking collar, and any washers. Do not remove the locking collar from the lower mount (Fig. 7).
8. Thoroughly clean the threaded area to remove all debris and contaminants (Fig. 8). Ensure the entire sealing surface is clean, free of contaminants, and undamaged. Avoid using abrasives on the sealing surface to prevent scratches that could affect sealing integrity.



\* Representative image

Fig. 7



\* Representative image

Fig. 8



## SECTION 2. ASSEMBLY OF THE AIR SPRING

1. Apply a portion of the packet of Loctite 262 to the damper body in this area, approximately 0.75" (19 mm) length (Fig. 9).



### NOTE

*Do not use the entire bag of Loctite®, a portion of it will be needed in a later step.*

2. Lightly apply grease to the upper and lower sealing surfaces, use a soft, small brush to apply it evenly around the damper body.



### NOTES

*Upper sealing surface grease should be applied just below the C-clip groove or rod shoulder.*

*Lower sealing surface grease should be applied evenly between the threads and the damper body end.*

*Ensure no grease gets on the threads. If it does, clean it off thoroughly.*

3. Install the air spring onto the damper body until the threads bottom out (Fig. 10).



### NOTE

*This is a hand-tight operation. It will be necessary to secure the damper to fully seat the air spring.*



\* Representative image

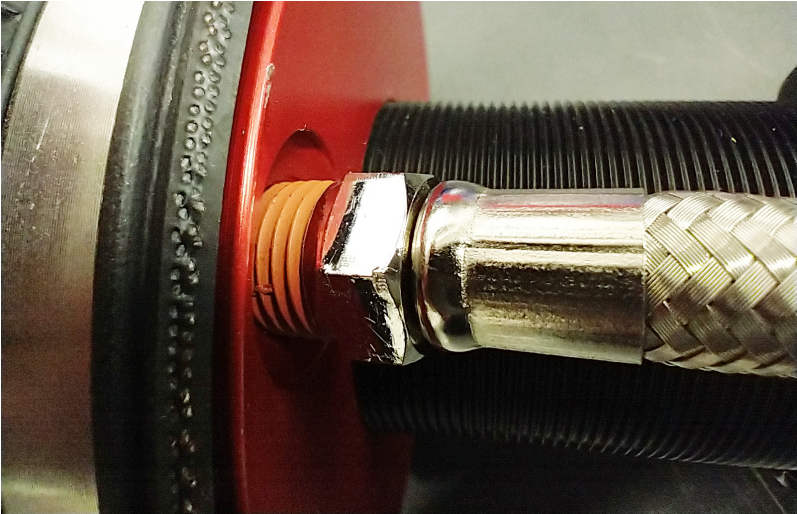
Fig. 9



\* Representative image

Fig. 10

4. Install the leader line onto the air spring (Fig. 11).



\* Representative image

*Fig. 11*

5. If the C-clip was removed during disassembly, install the new included C-clip (part #16100) onto the damper rod. Ensure the C-clip is fully seated onto the damper rod in the same position.
6. Reinstall the top mount, washers, and bushings in the same order as they were removed (Figs. 12 & 13).



## NOTES

*A new bushing is included with bearing-style air springs (Fig. 12). Their appearance will vary based on air spring style.*

*The kit will not include new spacers if the upper mount is rubber bushing-style (Fig. 13).*

## BEARING-STYLE AIR SPRING

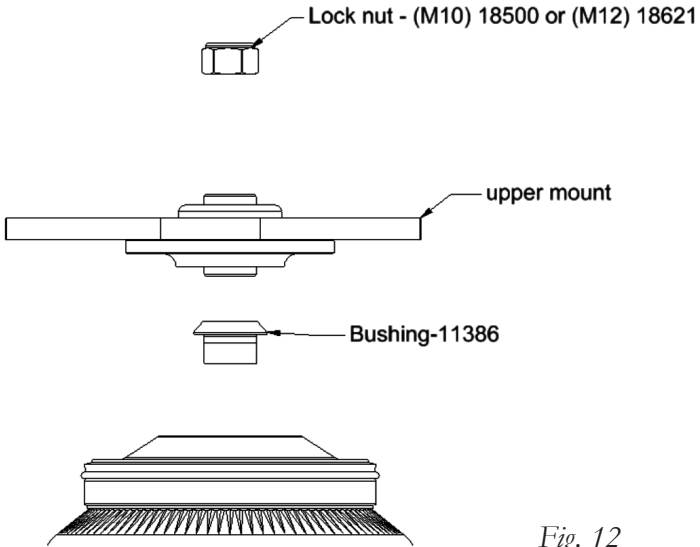


Fig. 12

## BUSHING-STYLE AIR SPRING

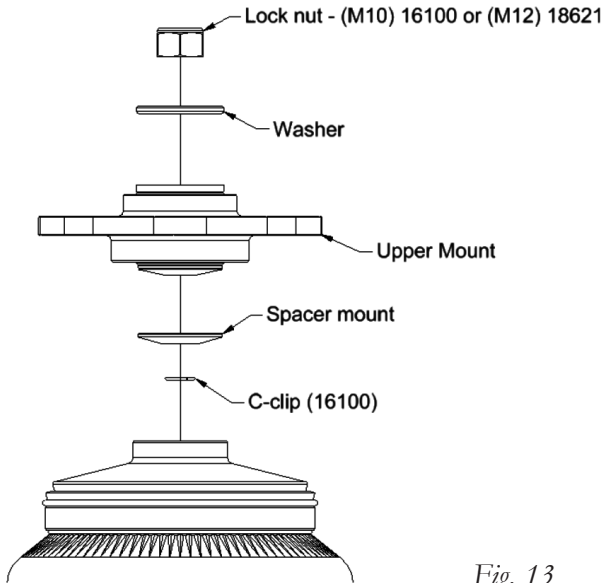


Fig. 13

7. Apply the included Loctite 262 onto the strut rod where the lock nut will engage (Fig. 14).
8. Install the new lock nut (Fig. 15). Torque onto the strut rod to:
  - 40 lb.-ft. (54Nm) for M12 nuts
  - OR -
  - 28 lb.-ft. (38Nm) for M10 nuts



**TECH TIP**

*A hex key is needed to keep the strut rod from spinning as you torque the lock nut.*

9. Adjust the lower mount to be opposite of the air line based on vehicle orientation.



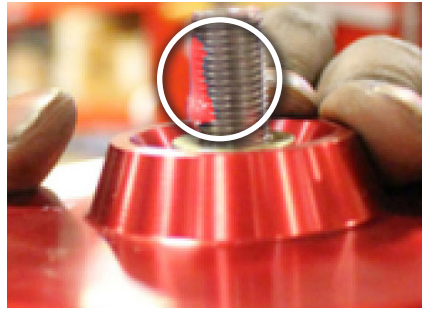
**NOTES**

*The air line should be on the vehicle's interior side of the damper.*

*Check the alignment of the air spring leader line location to the lower mount. Also, check the location against the description in the front and rear installation guides.*

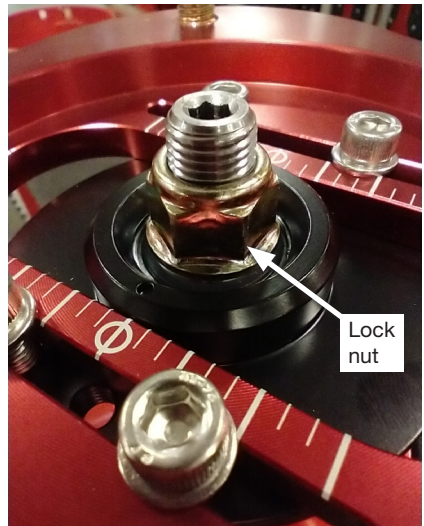
*The leader line hole must face the interior of the vehicle.*

10. Installation of the Coil to Air Upgrade kit is now complete. To reinstall the new air suspension kit and for final steps and setup, please refer to the front and rear air suspension manuals included in this kit.



\* Representative image

Fig. 14



\* Representative image

Fig. 15



## PLEASE READ – IMPORTANT INSTALLATION INFORMATION



Your new air suspension kits may need length adjustments to achieve your desired ride height. Please refer to the included User Guide for setting the ride height and the included Air Suspension Installation Guides for installing the kits onto the vehicle. Ensure that you follow the OE specifications for torquing fasteners.

Also, refer to your control system installation guide to ensure the installation of your air suspension system is complete.

# Limited Warranty and Return Policy

Air Lift Company provides a 1-year limited warranty\* to the original purchaser of Air Lift Performance Coil to Air Upgrade kits from the date of original purchase, that the products will be free from defects in workmanship and materials when used on cars and trucks as specified by Air Lift Company and under normal operating conditions, subject to the requirements and exclusions set forth in the full Limited Warranty and Return Policy.

Use of the Coil to Air Upgrade Kit on any damper brand other than Air Lift Performance will void this warranty.

\* Full Limited Warranty and Return Policy are available at [www.airliftperformance.com/support/warranty](http://www.airliftperformance.com/support/warranty) and are subject to change.

## WARRANTY REGISTRATION & CLAIMS

- To register your warranty, please visit <https://www.airliftperformance.com/support/warranty-registration/>
- To submit a warranty claim, please visit <https://www.airliftperformance.com/support/submit-warranty-claim/>



*Thank you for purchasing Air Lift Performance products!*

## Need Help?

The Air Lift Company customer service department is open from 8 a.m. to 8 p.m. ET Monday through Friday. Call (800) 248-0892 or +1 (517) 322-2144 for calls from outside the U.S. and Canada.



CONNECT BY SEARCHING FOR **AIR LIFT PERFORMANCE** #LIFEONAIR

**AIR LIFT**  
**PERFORMANCE**

2727 Snow Road Lansing, MI 48917  
or P.O. Box 80167 Lansing, MI 48908-0167

Toll Free (800) 248-0892

• Local (517) 322-2144 • Fax (517) 322-0240

[www.airliftperformance.com](http://www.airliftperformance.com)

Air Lift Company reserves the right to make changes and improvements to its products and publications at any time. For the latest version of this manual, contact Air Lift Company at (800) 248-0892 or visit [airliftperformance.com](http://airliftperformance.com).

Printed in the USA  
JJC-0525