

# EAS

EXPANDABLE ACCESSORY SYSTEM



*For full installation and use guide, including all safety information and additional tips, go to:*

**[www.edgeproducts.com/Installation-guides](http://www.edgeproducts.com/Installation-guides)**

Or scan this QR Code:



*and find “EAS Manual - Install Instructions”*

# At a Glance

## EAS (Expandable Accessory System)

The EAS system was designed with ease of installation in mind. The system itself is installed under the hood with only one cable that has to be routed through the firewall.

**EGT Probe- Exhaust Gas**  
Temperature probe can be used to monitor engine temperatures during normal and extreme driving conditions.

**JAB Adapter**  
The Juice to Attitude Bridge allows you to connect your Edge Juice Module to your Attitude Monitor.

**SOTF**  
The Shift On The Fly gives you the ability to change levels in place of a DSP switch.

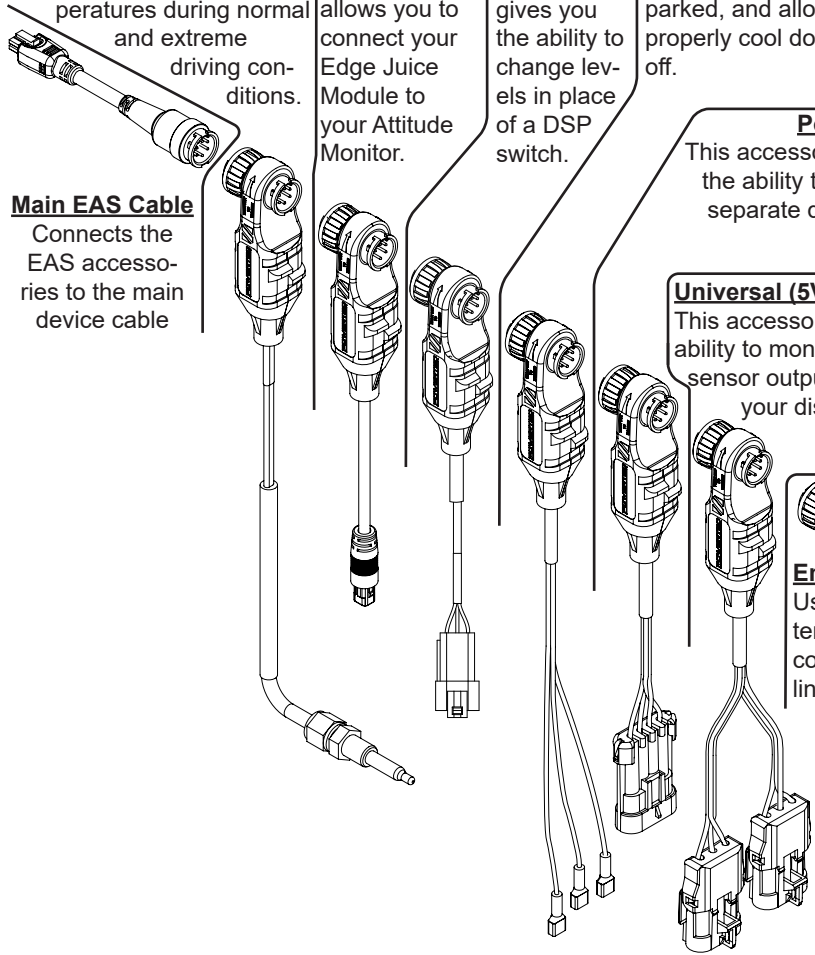
**Turbo Timer**  
This accessory keeps the engine running when the vehicle has been parked, and allows the engine to properly cool down before it is shut off.

**Power Switch**  
This accessory gives you the ability to control two separate devices using your Display.

**Universal (5V) Sensor**  
This accessory gives you the ability to monitor a variety of sensor output readings using your display.

**End Cap**  
Used to terminate the communication lines.

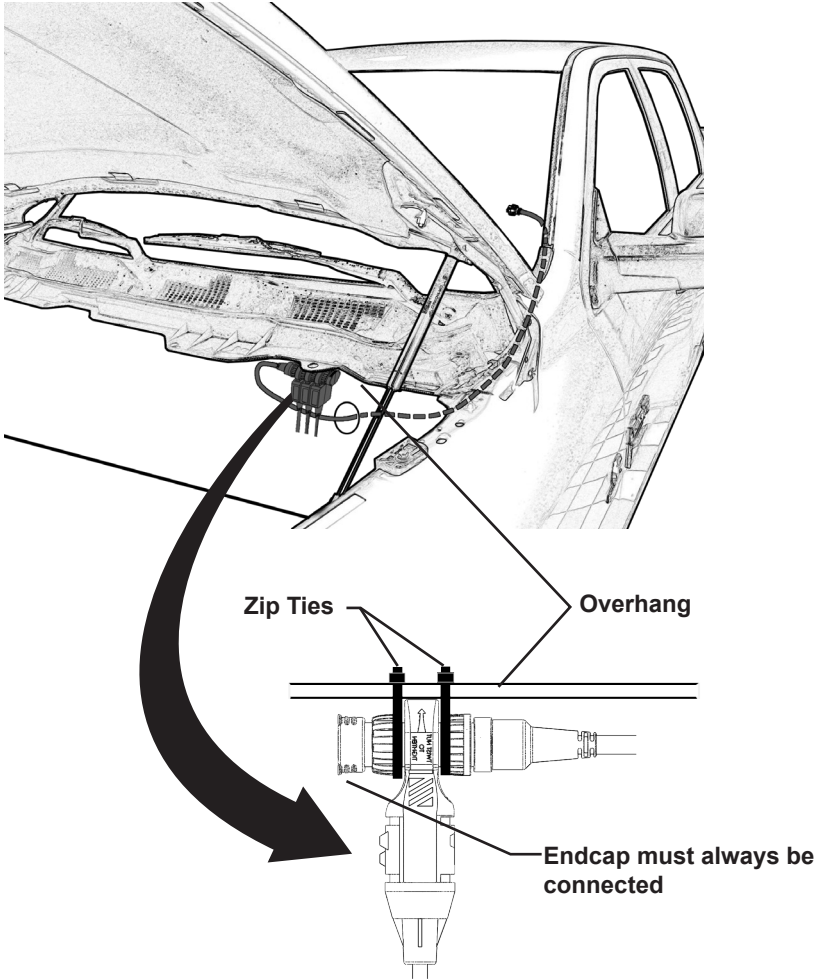
**Main EAS Cable**  
Connects the EAS accessories to the main device cable



**NOTE:** The HDMI to OBDII cable is included with your display device.

# Main Cable Connections

## Securing the EAS



**STEP 1** - Using the supplied zip ties, fasten the EAS connectors underneath the overhang which runs across the top of the fire wall. Keep the EAS assembly close to the driver side.

**STEP 2** - Use any remaining zip ties to secure loose cable.

**NOTE:** If more than one EAS device is plugged together, use the long zip ties provided in the packet to connect their bodies together.

# Routing the Main EAS Cable

**STEP 1** - Locate an entry point from underneath the hood and into the cab.

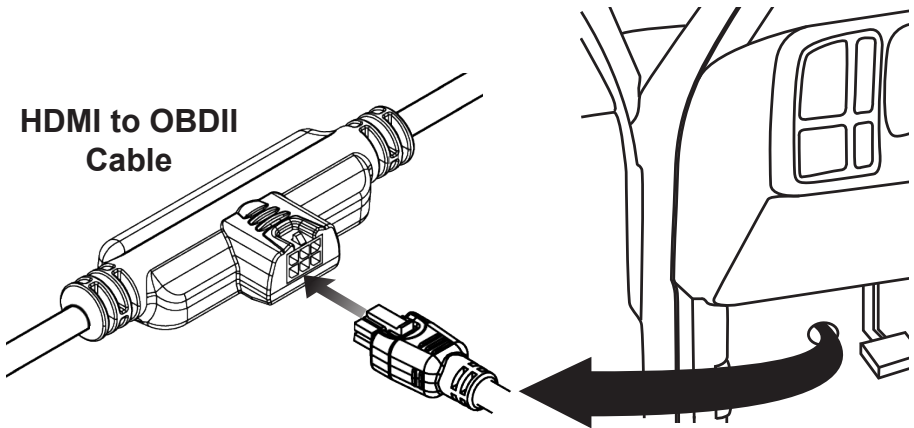
**TIP** - Most vehicles will have a rubber or plastic plug that can be removed from the fire-wall. Other vehicles may already have cables or wire harnesses going through it.

**STEP 2** - Route the rectangular (6 pin) connector from underneath the hood and into the cab. Leave the round connector under the hood.

**⚠CAUTION:** Be careful not to damage the connector and/or it's locking mechanism during installation.

**STEP 3** - Plug the Main EAS Cable into the HDMI cable junction.

**STEP 4** - Make sure this junction is free from moving vehicle components (e.g. brake pedal, gas pedal, steering column, etc)



*For additional questions not found in the user guide, call:*

**Holley Technical Support: (888)-360-3343**

Monday - Friday, 8:00 am - 5:00 pm MST

**To expedite your support call, please have your Vehicle Information, Part Number, and Serial Number ready prior to calling Technical Support.**

**Copyright © 2025 Holley Inc. and subsidiaries. All rights reserved.**

D10028500 Rev02 01/07/2025